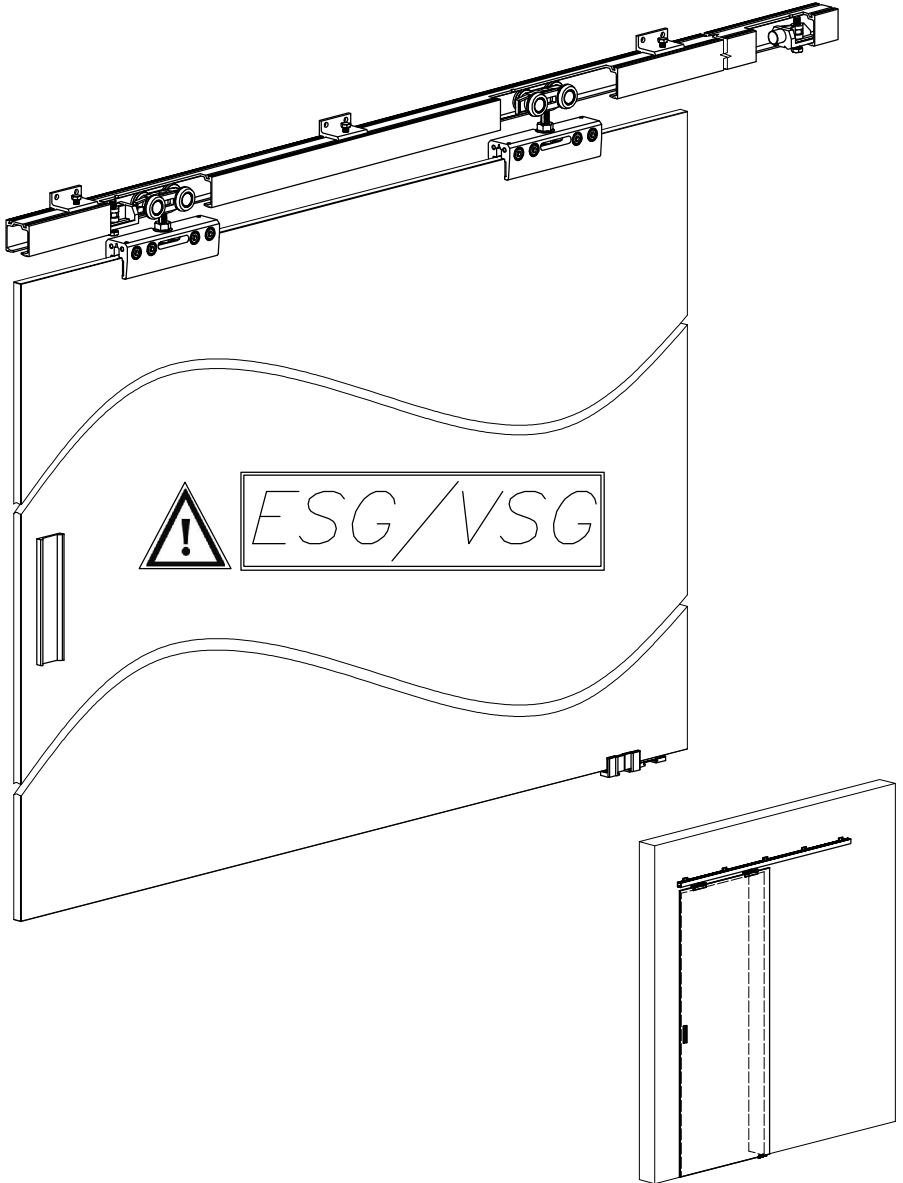
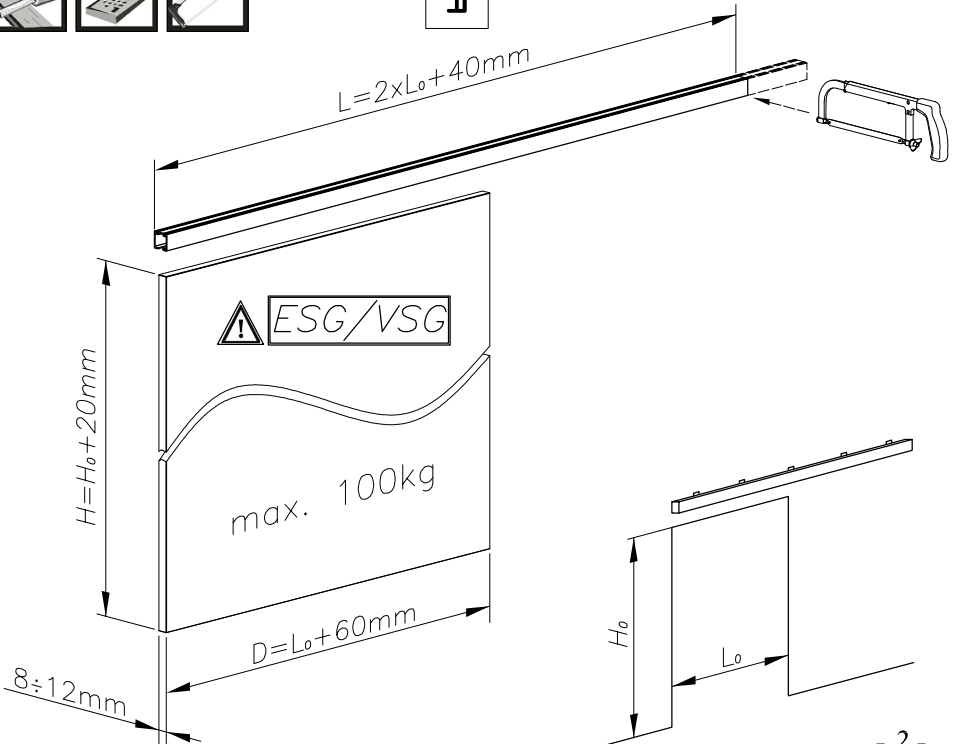
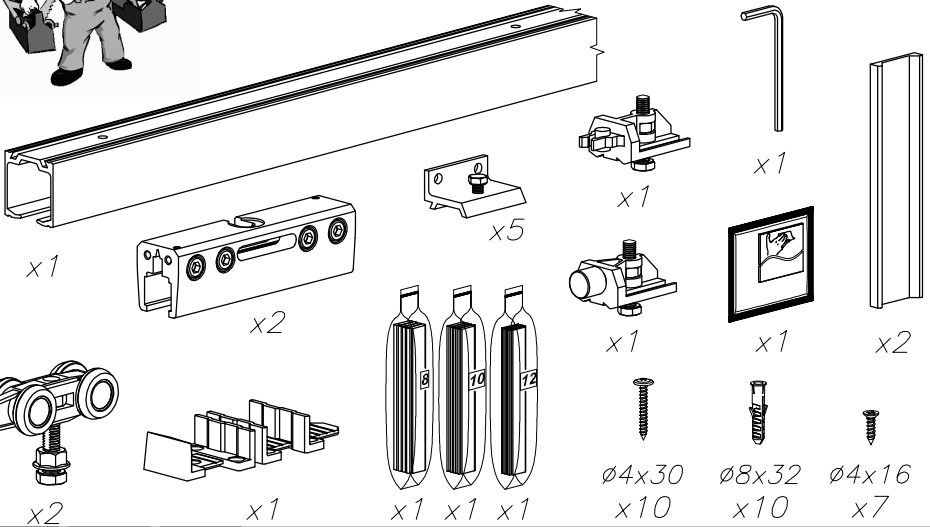


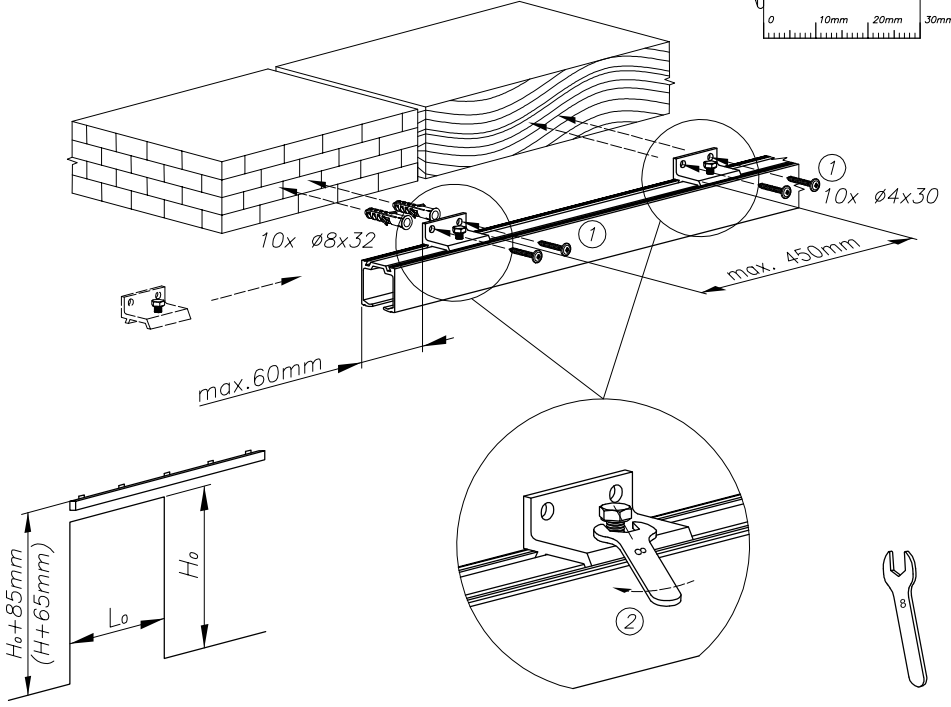
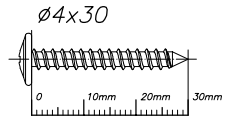


[www.valcomp.pl](http://www.valcomp.pl)

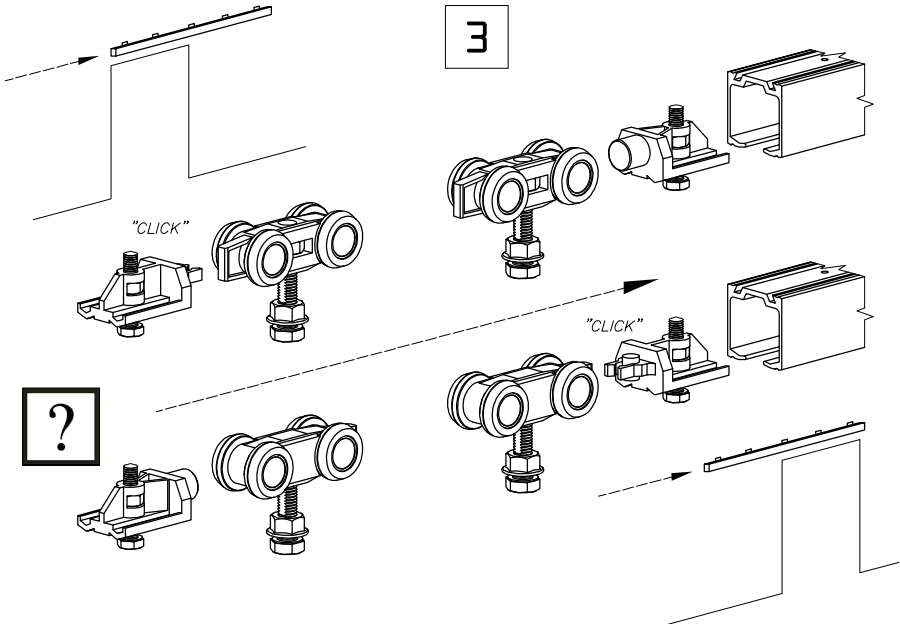
# HERKULES GLASS

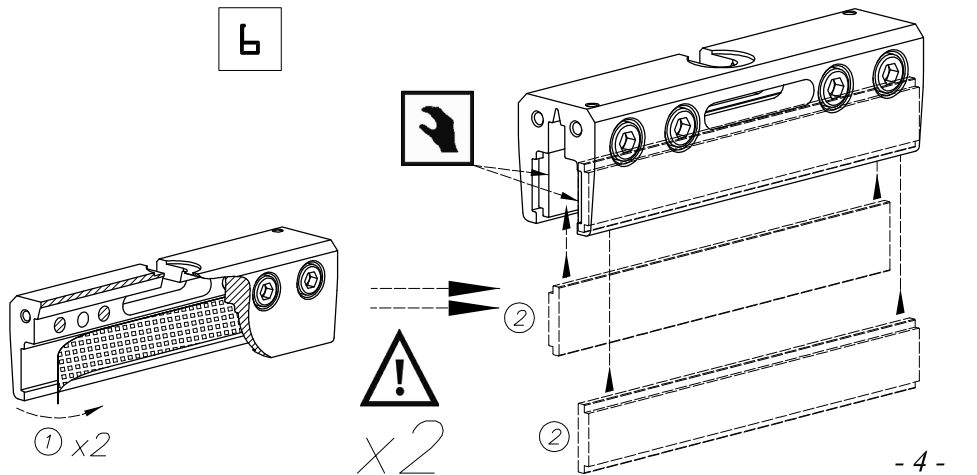
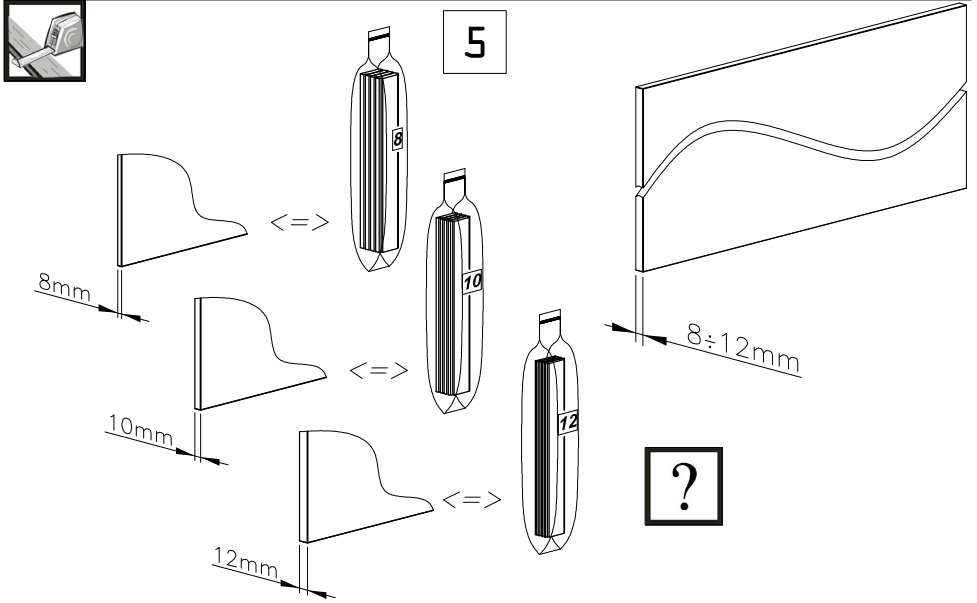
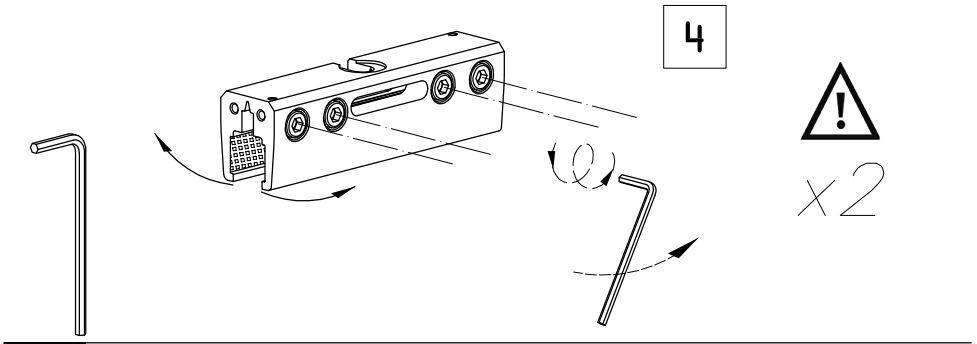


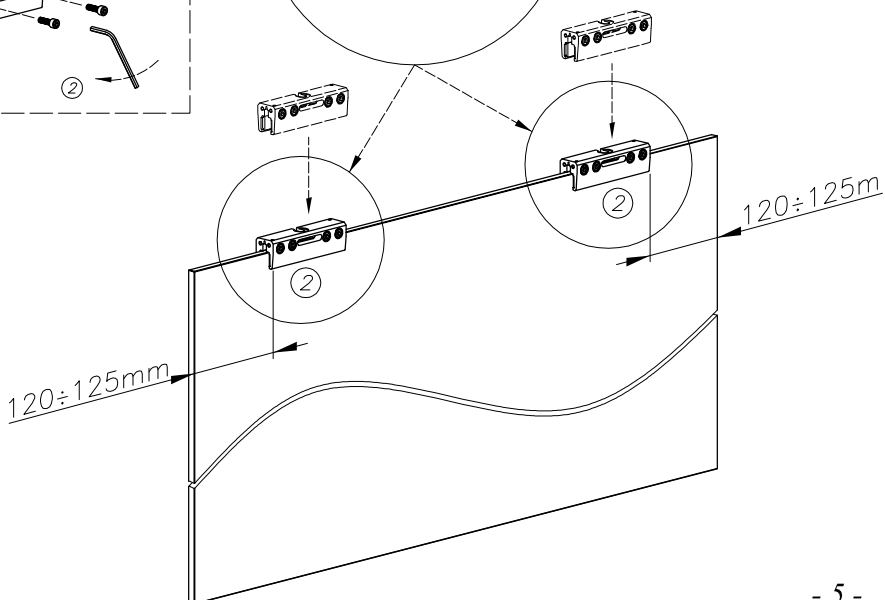
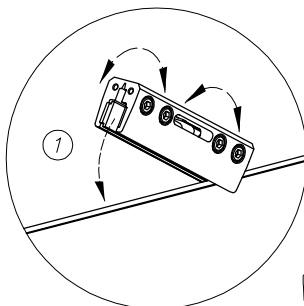
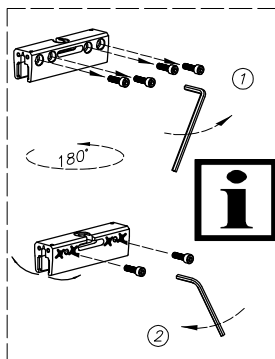
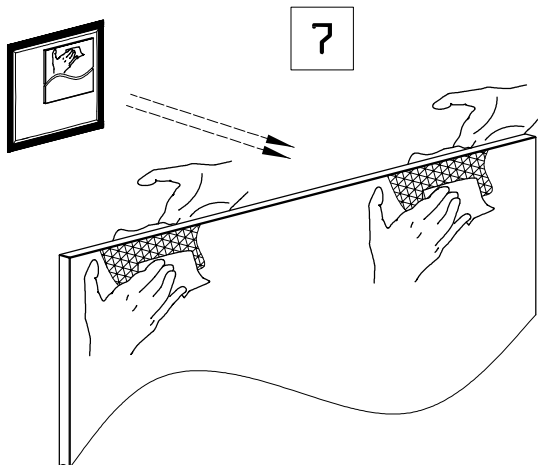




3





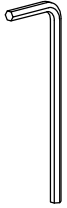




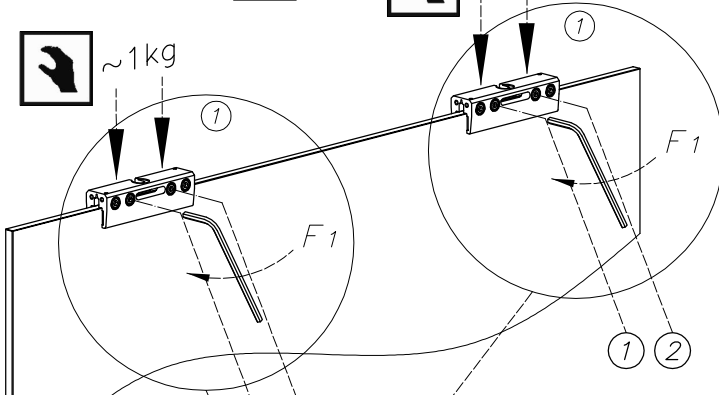
9



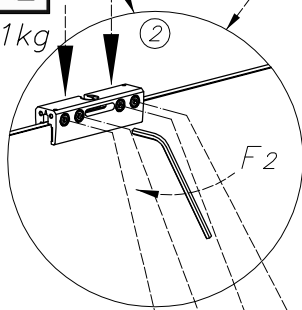
~1kg



~1kg



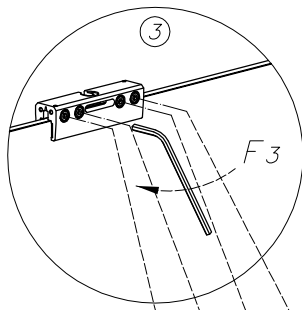
~1kg



$F_2 > F_1$



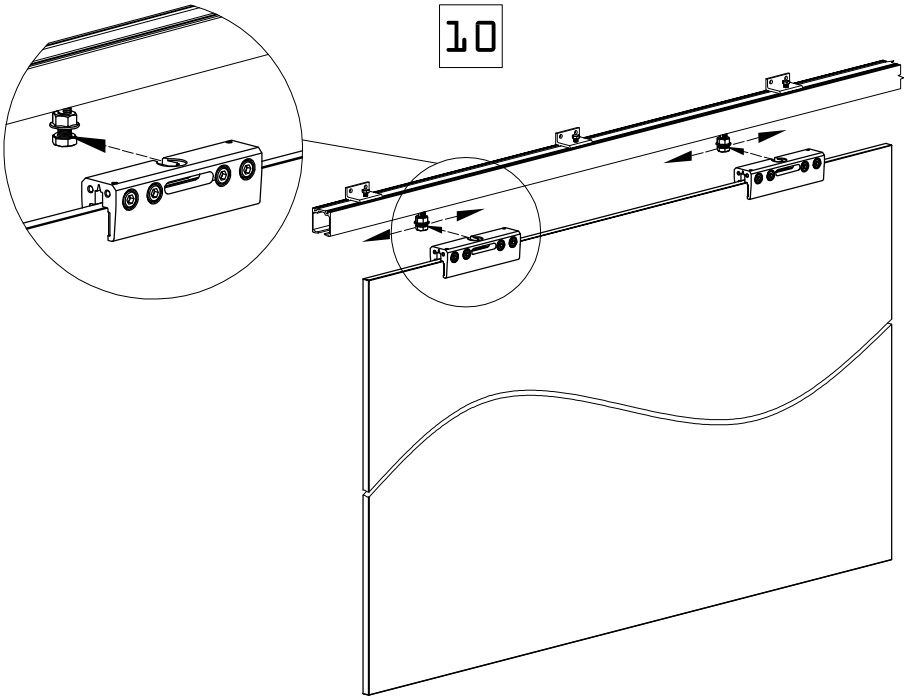
- ③
- ①
- ②
- ④



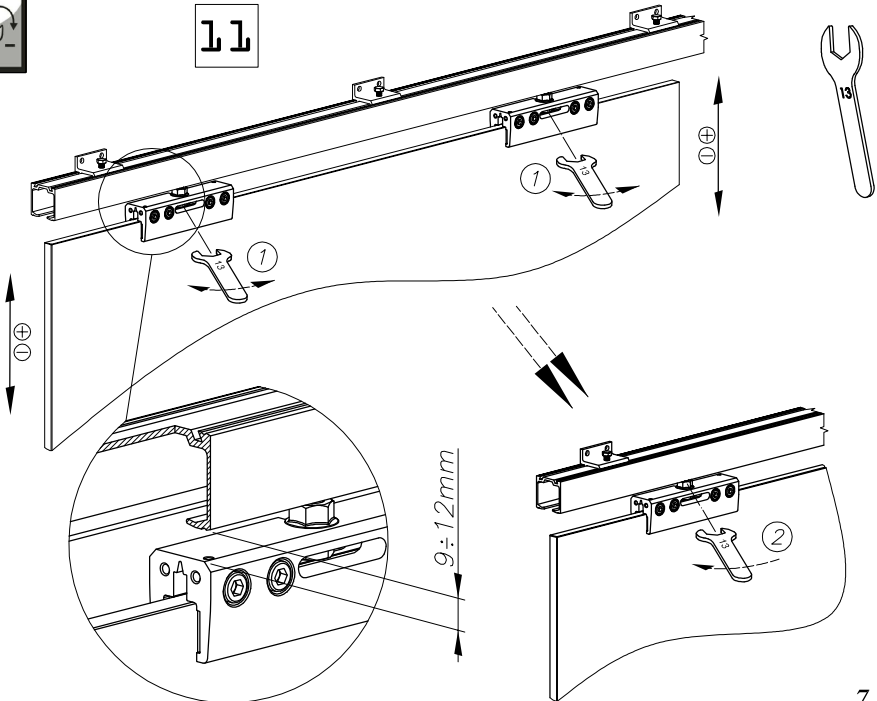
$F_3 = 26Nm$

- ③
- ①
- ②
- ④





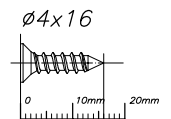
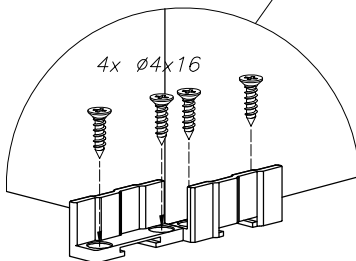
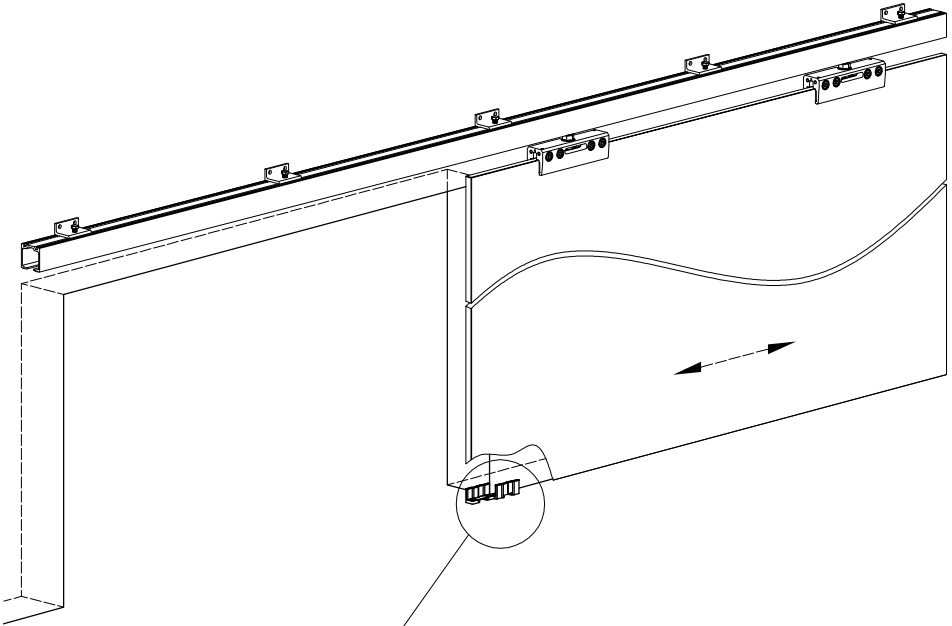
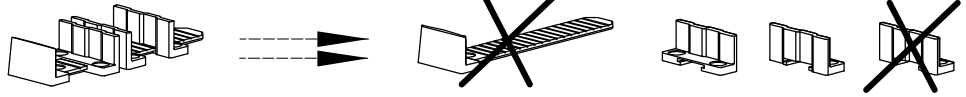
**11**



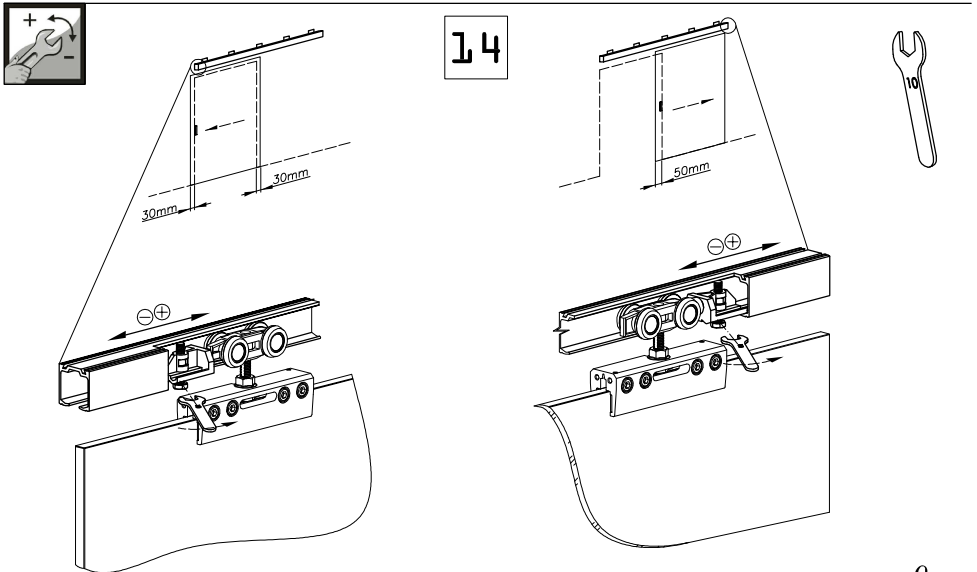
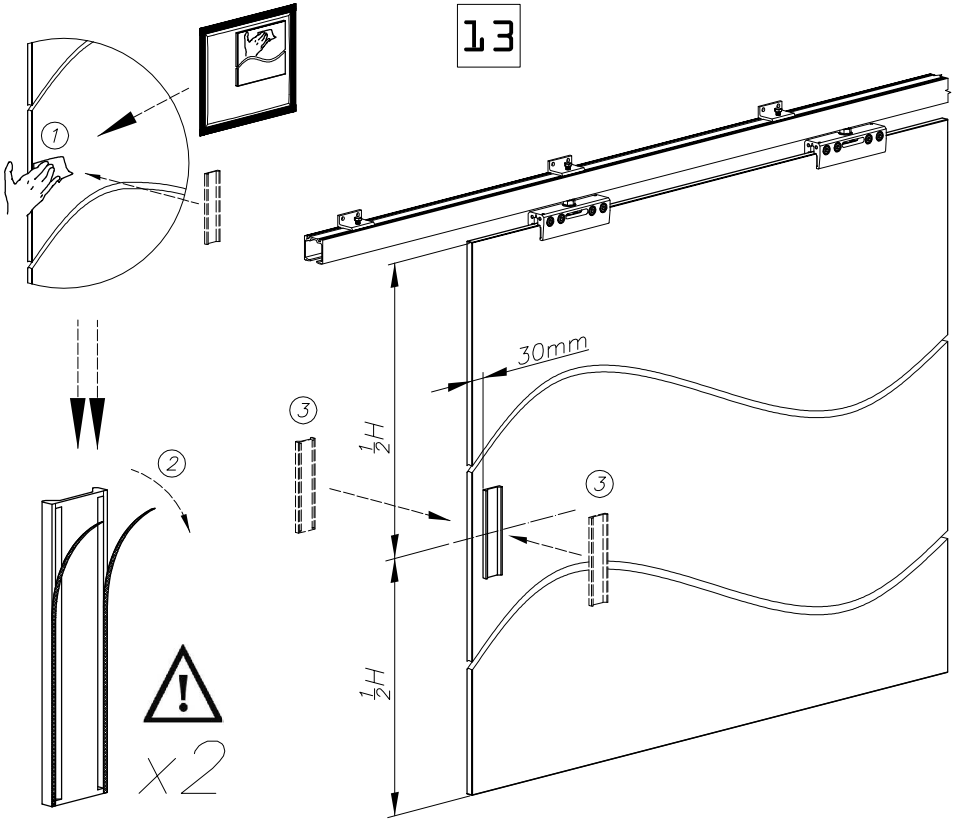


12

OK OK



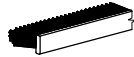




OPTIONS



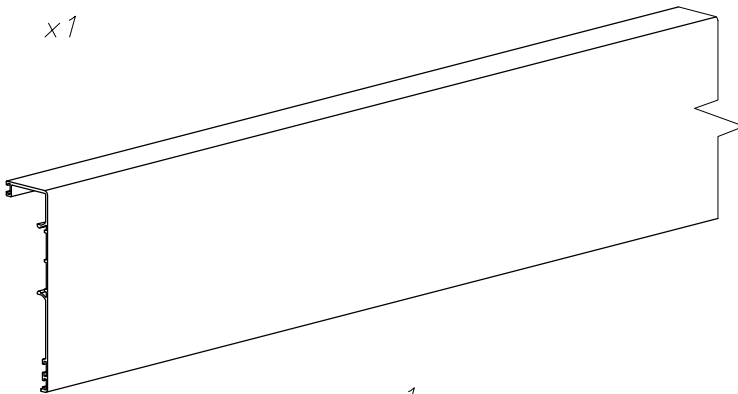
4,8x10mm  
x1



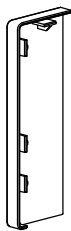
4,8x13mm  
x1



6,9x4mm  
x1



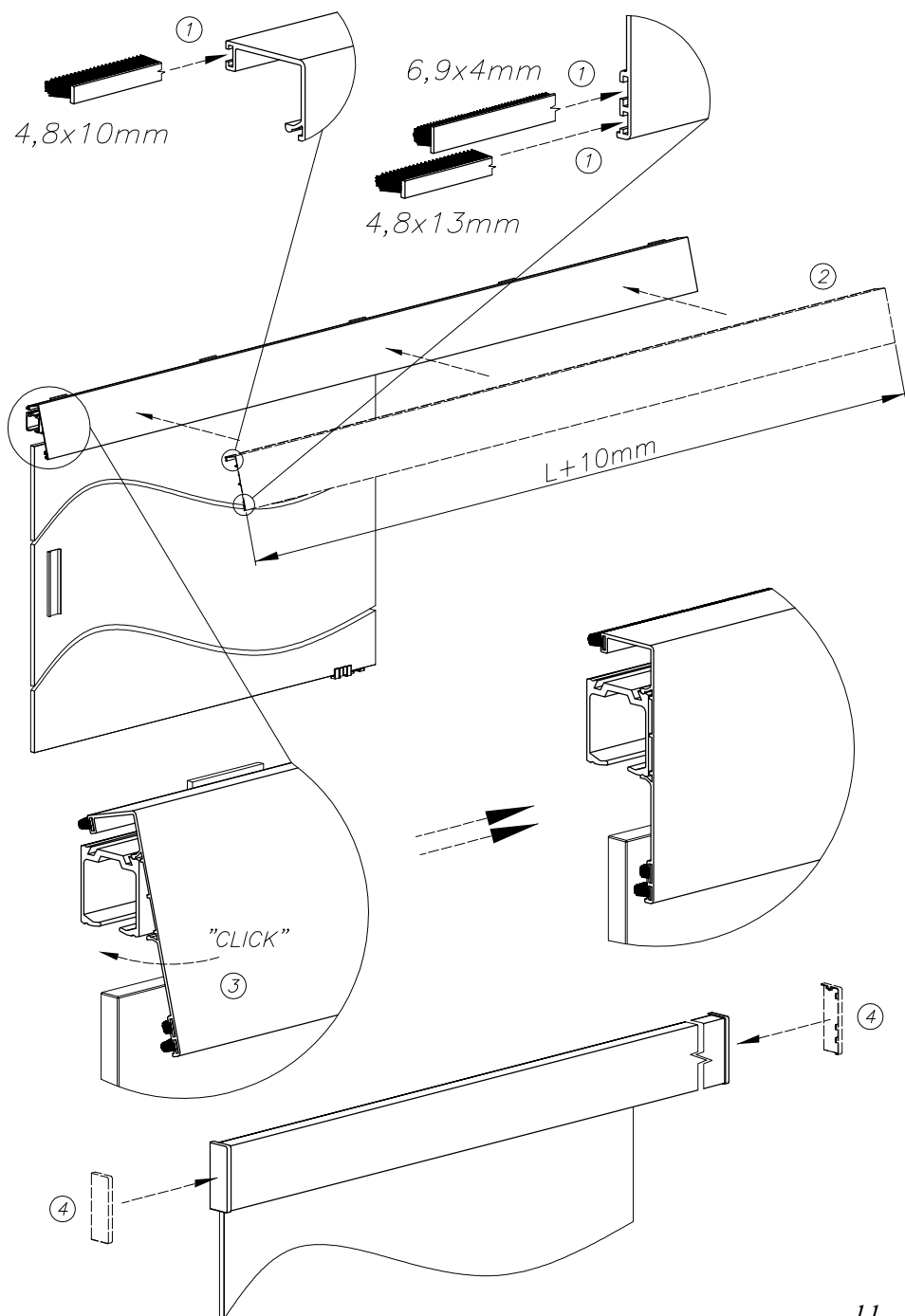
x1

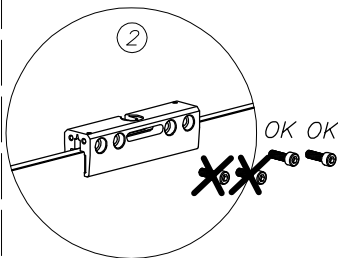
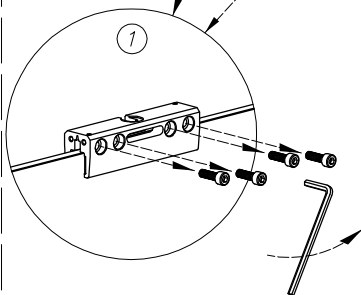
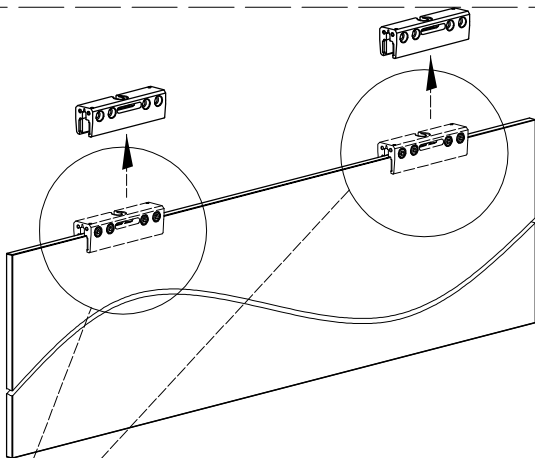


x1

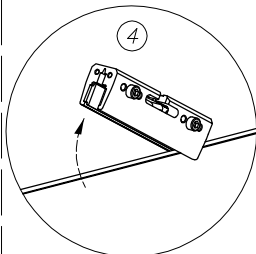
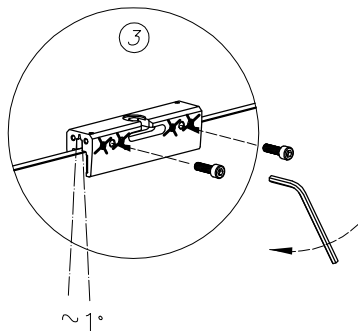


x1





180°



www.valcomp.pl

2012-07/1-PL